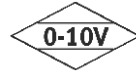


100w Industrial LED Flood Technical Data Sheet



CE RoHS



SFLEDFLIND100LM

| | |
|----------------------------|-----------------------------------------|
| Light Source: | LED |
| Wattage: | 100W |
| Voltage: | 100 - 277v |
| Insulation class: | I |
| Degree of protection: | Ip66 |
| IK: | Ik08 |
| CRI: | 70 |
| Kelvin: | 5000K |
| Power factor: | ≥0.95 |
| Optic: | PC lens with smart beam |
| Light source lumen output: | 14130lm |
| Luminaire lumen output: | 13000lm |
| L: | L70 |
| B: | B10 |
| Compliance: | EN60598,EN62493,EN61547,EN55015,EN62321 |
| Lifetime: | > 54000h |
| Warranty: | 5 years |

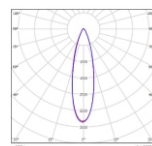
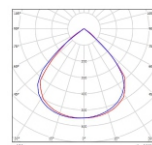
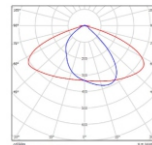


Description

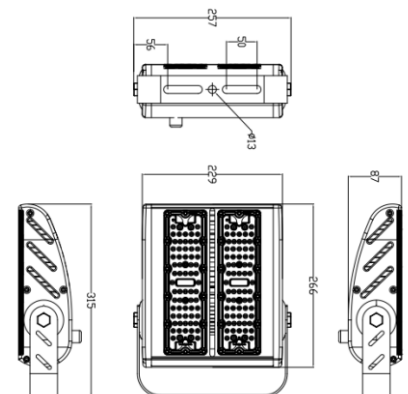
LED floodlight for indoor and outdoor lighting, comprising:

- 1070 pure recyclable aluminum body, chemically pre-treated and painted powder coating
- Very high performance PC lens
- Full range of beam package: Narrow, Medium, Asymmetric
- 304 Stainless steel external screws Powder coated steel bracket
- Dimmable ballast on request
- 3000K~6000K available upon request

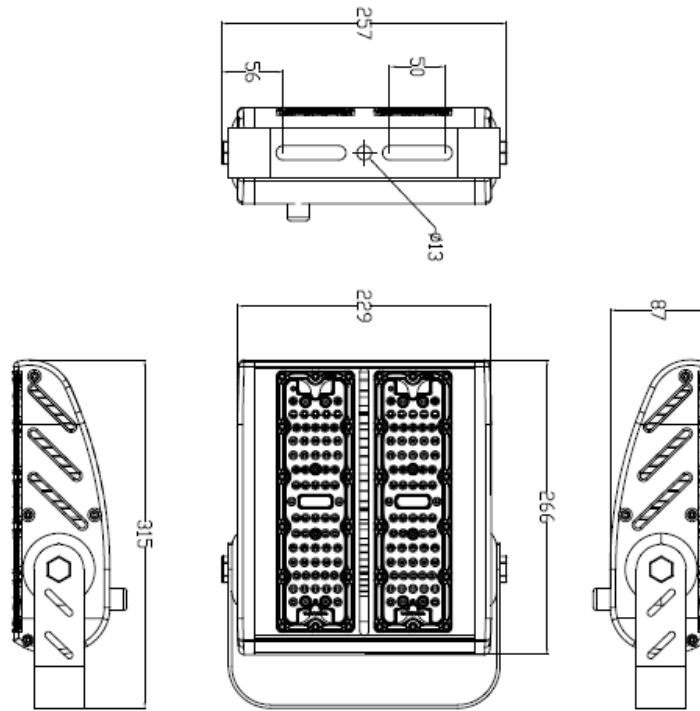
PHOTOMETRIC DATA



TECHNICAL DRAWINGS



Product packed dimensions &
 Weight 327* 380 * 160mm
 packaged weight: 4.5Kgs



5 years warranty for original purchaser of LED product that is identified on seller's invoice reflecting its original purchase (the "Product").

1. In order to make a warranty claim, you must notify seller in writing within sixty(60) days after your discovery of the defect, provide proof of purchase such as the invoice and comply with seller's other warranty requirements. Upon receiving that notice, to ascertain why fixtures stop working, evidence would be needed for seller's QC Team to analyze. Seller may require you to promptly return the Product to Seller when necessary, freight prepaid.

2. The determination of whether the Product is defective shall be made by Seller in its sole discretion with consideration given to the over all performance of the Product.

3. If seller determines the Product is defective, Seller will elect, in its sole discretion, repair the Product or replace the Product. Seller reserves the right to utilize new, reconditioned, refurbished, repaired or re-manufactured products or parts in the warranty repair or replacement process. Such products and parts will be comparable in function and performance to an original product or part, as determined by Seller in its sole discretion, and warranted for the remainder of the original warranty period. However, cost of labor and equipment to remove the defective product and install a repaired or a replacement Product at the end-user facility are excluded. Supplier's aggregate liability with respect to a defective product shall in any event be limited to the money paid to buyer for that defective product.

The following circumstances will not be warranted:

1. Damage caused by force majeure such as war, riots, sabotage, cyclones, earthquakes, tidal waves, flooding, lightning strikes, explosions, fire, flood, etc.
2. Damage caused by user's improper delivery, defects caused by wrong operation, wrong treatment and destruction of machinery.
3. Dismantling or modification or improper maintenance or repairing of the products without the supplier's authorization.
4. Damage caused by buyer or installer using bad quality cable or other mismatching electronic parts.
5. This warranty is invalid if the product is not used for the purpose for which is originally designed. Any disputes occurred shall be applied to the laws and regulations of P.R.C.

The seller has the sole right to interpret and amend the above articles.